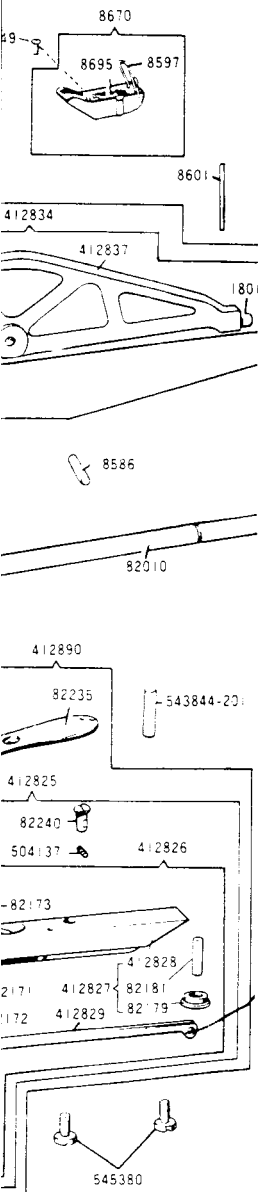


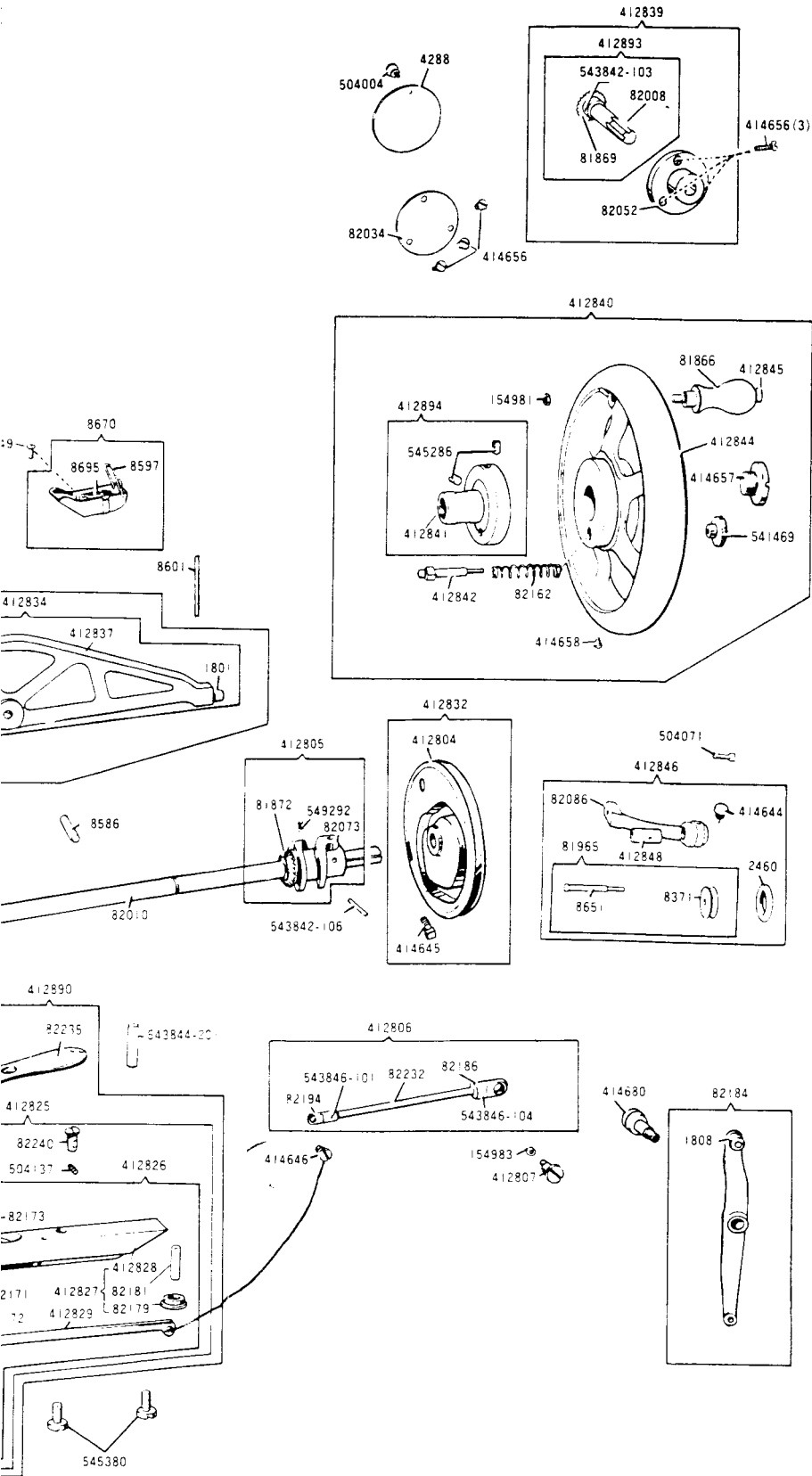
MACHINE PARTS CHART for

SINGER*

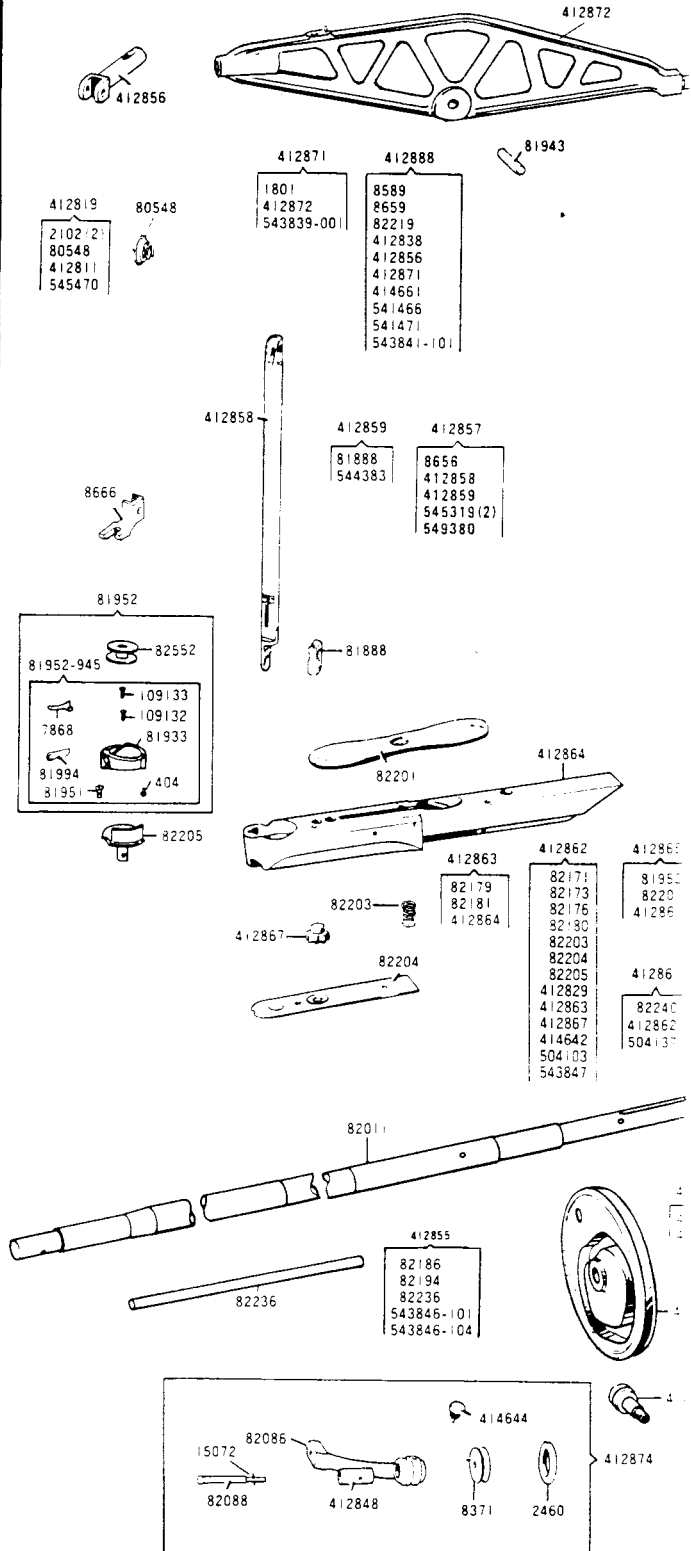
29U 171A
172A
173A



* A Trademark of THE SINGER COMPANY
Copyright ©1987 SINGER SEWING MACHINE COMPANY
All Rights Reserved Throughout The World

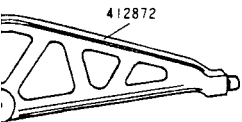


M/C. 29U172A PARTS WHICH DIFFER FROM M/C. 29U171

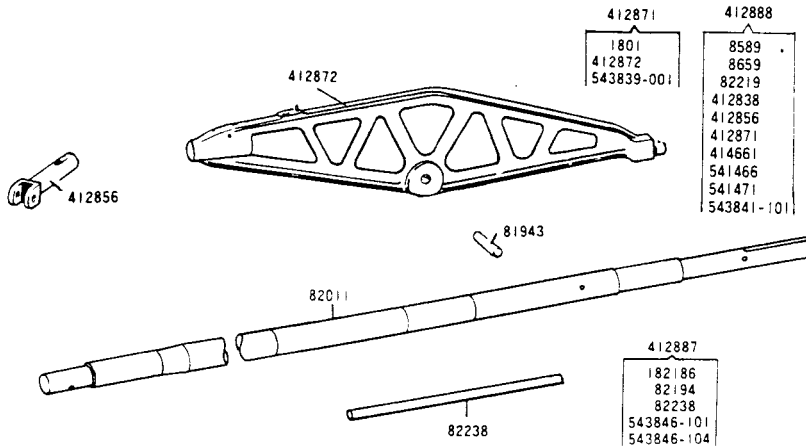


FER FROM M/C. 29U171A

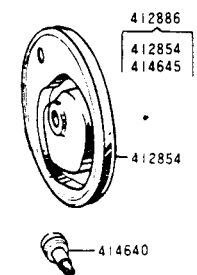
M/C. 29U173A PARTS WHICH DIFFER FROM M/C. 29U171A



81943

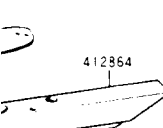


- | | |
|------------|------------|
| 412871 | 412888 |
| 1801 | 8589 |
| 412872 | 8659 |
| 543839-001 | 82219 |
| | 412838 |
| | 412856 |
| | 412871 |
| | 414661 |
| | 541466 |
| | 541471 |
| | 543841-101 |

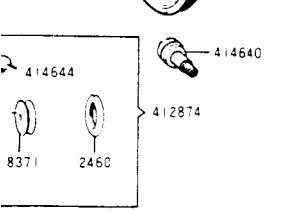
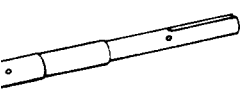


- | |
|------------|
| 412887 |
| 182186 |
| 82194 |
| 82238 |
| 543846-101 |
| 543846-104 |

- 857
- 58
- 59
- 19(2)
- 80



- | | | |
|-------|--------|--------|
| 2863 | 412862 | 412865 |
| 12179 | 82171 | 81952 |
| 12181 | 82173 | 82201 |
| 12864 | 82176 | 412861 |
| | 82180 | |
| | 82203 | |
| | 82204 | |
| | 82205 | |
| | 412829 | |
| | 412863 | 82240 |
| | 412867 | 412862 |
| | 414642 | 504137 |
| | 504103 | |
| | 543847 | |



OPTIONAL PARTS

ACCESSORIES FOR M/C. 29U171A & 29U173A P.N.412896-001

ACCESSORIES FOR M/C. 29U172A P/N.412896-002

OPTIONAL ACCESSORIES

NUMERICAL LIST OF PARTS FOR 200114 MACHINE

<u>Part No.</u>	<u>Description</u>	<u>Part No.</u>	<u>Description</u>
241	Shuttle Carrier Spring Screw	82173	Needle Plate Releasing Lever
662	Shuttle Tension Regulating Screw	82174	Pinion Cover Plate
1177-350	Vibrating Presser Lifting Lever Shaft Lever Clamping Screw	82176	Rack (Short)
1801	Needle Bar Driving Lever Cam Roller and Stud	82177	Shuttle Carrier
1808	Shuttle Driving Cam Roller and Stud	82179	Shuttle Carrier Driving Pinion Bushing
1816	Feed Motion Ring Slide Bar Roller and Stud	82180	Shuttle Carrier Following Pinion
2102	Tension (Side) Disc (2)	82181	Shuttle Carrier Following Pinion Stud
2103	Tension (Side) Spring	82184	Shuttle Driving Lever with 1808
2460	Bobbin Winder Spindle Pulley Rubber Ring	82186	Shuttle Driving Lever Connecting Rod End (Back)
4288	Arm Side Cover (Back)	82188	Stitch Regulator
4449	Shaft Bushing	82194	Shuttle Driving Lever Connecting Rod End (Front)
8371	Bobbin Winder Spindle Pulley	82219	Check Lever Tension Spring
8564	Foot Bar Revolving Joint	82230	Stitch Regulator Gib
8571	Foot Bar Revolving Joint Washer	82232	Shuttle Driving Lever Connecting Rod
8574	Head Revolving Bushing Friction Spring	82235	Needle Plate (Fine and Medium Needle Holes)
8577	Head Revolving Bush Supporting Washer	82240	Needle Plate Hinge Pin
8580	Needle Bar Driving Lever Joint Pin	84113	Tension (Top) Disc Washer (Leather)
8589	Needle Bar Piston Joint Pin	109535	Head Revolving Bush Stop Thumb Screw
8597	Oil Cup Spring	113218	Vibrating Presser Roller
8601	Spool Pin	154981	Hand Wheel Handle Spindle Nut
8603	Shuttle and Bobbin Complete 8603-945, 8604	154983	Shuttle Driving Lever Eccentric Stud Nut
8603-345	Shuttle Complete 8603, 8611, 8654	412804	Needle Bar Cam and Pulley Wheel
8604	Shuttle Bobbin	412805	Shuttle Driving Cam and Gear Complete 81871, 82071, 84200
8610	Shuttle Carrier Spring	412806	Shuttle Driving Lever Connecting Rod Complete 82186, 82194, 82232, 84384- 101, 84384-104
8611	Shuttle Tension Spring	412807	Shuttle Driving Lever Eccentric Stud
8617	Tension (Top) Cup (Release)	412808	Head of Machine
8618	Tension (Top) Disc (2)	412809	Tension (Top) Adjusting Stud
8619	Tension (Top) Spring	412810	Tension (Side) Adjusting Stud Complete (for Agent) 412811, 543470
8620	Thread Eyelete (Head of Arm)	412811	Tension (Side) Adjusting Stud
8651	Bobbin Winder Spindle	412812	Head Revolving Bush
8654	Shuttle Body	412813	Vibrating Presser Lifting Lever Shaft
8656	Needle Bar Thread Tension Spring	412814	Vibrating Presser Lifting Lever Shaft Lever
8659	Check Lever	412815	Vibrating Presser Spring Bar
8670	Oil Cup with 8670, 8671	412816	Foot Bar Revolving Joint Complete 82055, 82056, 504504 (2)
8675	Foot Bar	412818	Feed Motion Bell Crank Lever
8695	Oil Cup Oil End (Feet)	412821	Needle Bar Piston Joint
81358	Needle Bar Clamp	412821	Needle Bar Complete 8656, 412823, 412824, 543319 (2), 543320
81366	Hand Wheel Handle	412825	Shuttle Driving Gear Box 412826 with 82240 & 82413
81368	Vibrating Presser Roller Pin	412826	Shuttle Driving Gear Box Complete 82171, 82172, 82173, 82174, 82175, 82176, 412827, 412828, 412829, 412830, 412832, 504103 (2), 543847
81369	Hand Wheel Shaft Gear	412827	Shuttle Driving Gear Box 412828 with 82179 & 82181
81372	Shuttle Driving Cam Gear	412828	Shuttle Driving Gear Box
81365	Bobbin Winder Spindle Complete (8371 & 8651) for Agent	412829	Rack (Long)
82007	Feeding Foot	412830	Needle Bar Clamp Complete 81358, 543323
82008	Hand Wheel Shaft	412831	Shuttle Driving Gear Box 412827 with 82240 & 82413 for Agent
82010	Shaft (Short)	412832	Needle Bar Cam and Pulley Wheel with 412615
82034	Arm Side Cover (Front)	412833	Needle Bar Driving Lever Complete 8580, 8650, 82219, 412821, 412826, 412828, 412829, 543847, 543847- 101
82052	Hand Wheel Hub	412834	Needle Bar Driving Lever (Body) Complete 1811, 412827, 543839-001
82053	Feed Motion Ring Slide Bar	412837	Needle Bar Driving Lever (Body)
82054	Foot Bar Revolving Joint Bearing	412838	Check Lever Tension Stud
82055	Foot Bar Revolving Joint Bearing Complete 8564, 8571, 82054	412839	Hand Wheel Hub Complete 80056, 412829
82056	Foot Bar Revolving Joint Slide Rod Lifter		
82073	Shuttle Driving Cam		
82086	Bobbin Winder Frame		
82116	Tension (Side) Thread Guide Pin		
82123	Head Revolving Bush Handle		
82129	Vibrating Presser Spring		
82131	Vibrating Presser Spring Bar Collar		
82149	Feed Motion Cam Wheel with 81869, 113218		
82150	Vibrating Presser Lifting Lever (for Medium Work)		
82155	Vibrating Presser Lifting Lever Shaft Adjusting Lever		
82171	Hand Wheel Stop Motion Plunger Spring		
82174	Needle Plate Locating Plunger		
82178	Needle Plate Locating Plunger Spring		

RT

Part No.	Description	Part No.	Description
412857	Needle Bar Complete 8656, 412858, 412859, 545319 (2), 549380	412822	Needle Bar Complete 8656, 412823, 412830, 545319 (2), 549380
412858	Needle Bar	412823	Needle Bar
412859	Needle Bar Clamp Complete 81868, 544383	412825	Shuttle Driving Gear Box 412826 with 82240 & 504137
412861	Shuttle Driving Gear Box 412862 with 82240 & 504137	412826	Shuttle Driving Gear Box Complete 82171, 82172, 82173, 82174, 82176, 82180, 412827, 412829, 412882, 412889, 414642, 504103 (2), 543847
412862	Shuttle Driving Gear Box Complete 82171, 82173, 82176, 82180, 82203, 82204, 82205, 412829, 412863, 412867, 414642, 504103 (2), 543847	412827	Shuttle Driving Gear Box 412828 with 82179 & 82181
412863	Shuttle Driving Gear Box 412864 with 82179 & 82181	412828	Shuttle Driving Gear Box
412864	Shuttle Driving Gear Box	412830	Needle Bar Clamp Complete 81858, 544383
412865	Shuttle Driving Gear Box Complete 82201, 81952, 412861	412831	Shuttle Driving Gear Box 412827 with 82240 & 504137
412866	Shuttle Driving Gear Box 412863 with 82240 & 504137	412832	Needle Bar Cam and Pulley Wheel with 414645
412867	Shuttle Carrier Driving Pinion	412833	Needle Bar Driving Lever Complete 8589, 8659, 82219, 412821, 412834, 412838, 414661, 541466, 541471, 543841-101
412871	Needle Bar Driving Lever (Body) Complete 1801, 414872, 543839-001	412834	Needle Bar Driving Lever (Body) Complete 1801, 412837, 543839-001
412872	Needle Bar Driving Lever (Body)	412837	Needle Bar Driving Lever (Body)
412874	Bobbin Winder Complete 2460, 8371, 15072, 82086, 82088, 82089, 412842, 414644	412846	Bobbin Winder Complete 2460, 3371, 3651, 82086, 412848, 414644
412879	Head of Machine Complete 8574, 8577, 8617, 8618 (2), 8619, 8620, 8666, 8675, 82059, 82116, 82123, 82129, 82131, 82155, 82188, 82230, 84113, 109535, 412808, 412809, 412812, 412813, 412815, 412816, 412818, 412819, 412857, 412881, 412892, 414643 (2), 414649, 414650, 414651, 414652, 414653, 414654, 504145-452 (3), 541468, 543841-004, 543846-104, 545303 (2), 545470	412880	Head of Machine Complete 8574, 8577, 8617, 8618 (2), 8619, 8620, 8675, 82007, 82059, 82116, 82123, 82129, 82131, 82155, 82188, 82230, 84113, 109535, 412808, 412809, 412812, 412813, 412815, 412816, 412818, 412822, 412891, 412892, 414643 (2), 414649, 414650, 414651, 414652, 414653, 414654, 504145-452 (3), 541468, 543841-004, 543846-104, 545303 (2), 545470
412886	Needle Bar Cam and Pulley Wheel with 414645	412882	Shuttle Carrier Complete 241, 8610, 82177
412888	Needle Bar Driving Lever Complete 8589, 8659, 82219, 412838, 412856, 412871, 414661, 541466, 541471, 543841-101	412889	Shuttle Carrier Driving Pinion
414640	Shuttle Driving Lever Bearing Screw	412890	Shuttle Driving Gear Box Complete 8603, 82235, 412825
		412891	Tension (Side) Adjusting Stud Complete 2102 (2), 2103, 412811, 545470
		414680	Shuttle Driving Lever Bearing Screw

PARTS REMOVED

241	Shuttle Carrier Spring Screw
662	Shuttle Tension Regulating Screw
8113	Tension (Side) Spring
8586	Needle Bar Driving Lever Joint Pin
8603	Shuttle and Bobbin Complete 8603-845, 8604
8603-845	Shuttle Complete 662, 8611, 8654
8604	Shuttle Bobbin
8610	Shuttle Carrier Spring
8611	Shuttle Tension Spring
8651	Bobbin Winder Spindle
8654	Shuttle Body
81858	Needle Bar Clamp
81965	Bobbin Winder Spindle Complete (3371 & 3651) for Agent
82007	Feeding Foot
82010	Shaft (Short)
82172	Needle Plate Locating Plunger Spring
82174	Pinion Cover Plate
82177	Shuttle Carrier
82181	Shuttle Driving Lever Connecting Rod
82235	Needle Plate (Fine and Medium Needle Holes)
412824	Needle Bar Cam and Pulley Wheel
412826	Shuttle Driving Lever Connecting Rod Complete 82186, 82194, 82236, 543846-101, 543846-104
412821	Needle Bar Piston Joint

SUPPLEMENTARY PARTS LIST FOR 29UL73A MACHINE

(Same as the complete list for 29UL71A with the following exceptions)

PARTS ADDED

81934	Needle Bar Driving Lever Joint Pin
82011	Shaft (Long)
82238	Shuttle Driving Lever Connecting Rod
412854	Needle Bar Cam and Pulley Wheel
412856	Needle Bar Piston Joint
412871	Needle Bar Driving Lever (Body) Complete 1801, 412872, 543839-001
412872	Needle Bar Driving Lever (Body)
412886	Needle Bar Cam and Pulley Wheel with 414645
412887	Shuttle Driving Lever Connecting Rod Complete 82186, 82194, 82236, 543846-101, 543846-104
412888	Needle Bar Driving Lever Complete 8589, 8659, 82219, 412838, 412856, 412871, 414661, 541466, 541471, 543841-101
414640	Shuttle Driving Lever Bearing Screw

Part No.	Description	Part No.	Description
<u>PARTS REMOVED</u>		<u>OPTIONAL ACCESSORIES</u>	
Lever	8586 Needle Bar Driving Lever Joint Pin	82113	Machine Base (for 29U172A, 173A M/C)
	82010 Shaft (Short)	82214	Machine Base (for 29U171A M/C)
	82232 Shuttle Driving Lever Connecting Rod	412899	Belt Guard Complete 412900, 500257-850 (2), 543803-005 (2)
	412804 Needle Bar Cam and Pulley Wheel	412900	Belt Guard
	412806 Shuttle Driving Lever Connecting Rod Complete 82186, 82194, 82232, 543846- 101, 543846-104	414664	Machine Screw (for Fastening Base to Machine) (4)
	412821 Needle Bar Piston Joint	500257-850	Belt Guard Screw (2)
	412832 Needle Bar Cam and Pulley Wheel with 414645	543803-005	Belt Guard Washer (2)
	412833 Needle Bar Driving Lever Complete 8589, 8659, 82219, 412821, 412834, 412838, 414661, 541466, 541471, 543841-101		
	412834 Needle Bar Driving Lever (Body) Complete 1801, 412837, 543839-001		
	412837 Needle Bar Driving Lever (Body)		
	414680 Shuttle Driving Lever Bearing Screw		

Part No.	Description
<u>OPTIONAL PARTS</u>	
662	Shuttle Tension Regulating Screw
8557	Feeding Foot (Narrow Fork, Fine)
8558	Feeding Foot (Narrow Fork, Coarse)
8604	Shuttle Bobbin
8654	Shuttle Body
8666	Feeding Foot (for Waxed Thread)
81966	Shuttle Tension Spring (Heavy) (for 29U171A, 173A M/C)
81964	Shuttle and Bobbin Complete (for Heavy Work) (for 29U171A, 173A M/C)
81964-945	Shuttle Complete (for Heavy Work)
82151	Vibrating Presser Lifting Lever (for Light Work)
82152	Vibrating Presser Lifting Lever (for Heavy Work)
82202	Needle Plate (Medium and Coarse Needle Holes) (for 29U172A M/C)
82234	Needle Plate (Medium and Coarse Needle Holes) (for 29U171A, 173A M/C)

<u>ACCESSORIES FOR 29U171A AND 29U173A MACHINES</u>	
Cat.No.	Needle (29 X 4) #13 (6)
3741-82	
8604	Shuttle Bobbin (for #8603-945) (for 29U171A, 173A M/C) (4)
412895	Needle Bar Threading Wire
412896-001	Accessories (for 29U171 & 173 M/C)
414665	Machine Screw (for Fastening Machine to Power Table) (4)
541513	Screw Driver (Large)
541514	Screw Driver (Small)
543803-006	Machine Screw Washer (4)
546923	Oil (Filled with 130 cc Singer Type "B" Oil)

<u>ACCESSORIES FOR 29U172A MACHINE</u>	
Cat.No.	Needle (29 X 4) #13 (6)
3741-82	
82552	Shuttle Bobbin (for #81952) (for 29U172A M/C) (4)
412895	Needle Bar Threading Wire
412896-002	Accessories (for 29U172A M/C)
414665	Machine Screw (for Fastening Machine to Power Table) (4)
541513	Screw Driver (Large)
541514	Screw Driver (Small)
543803-006	Machine Screw Washer (4)
546923	Oil (Filled with 130 cc Singer Type "B" Oil)